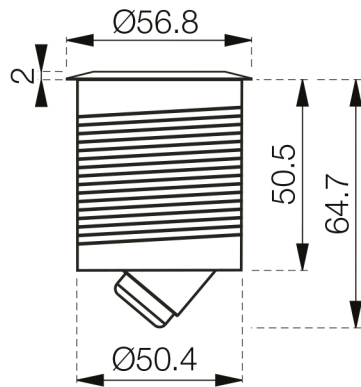


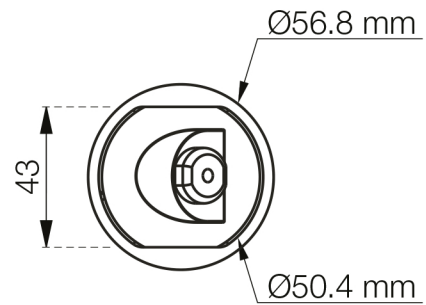


Powerdot Mini - 1 Power

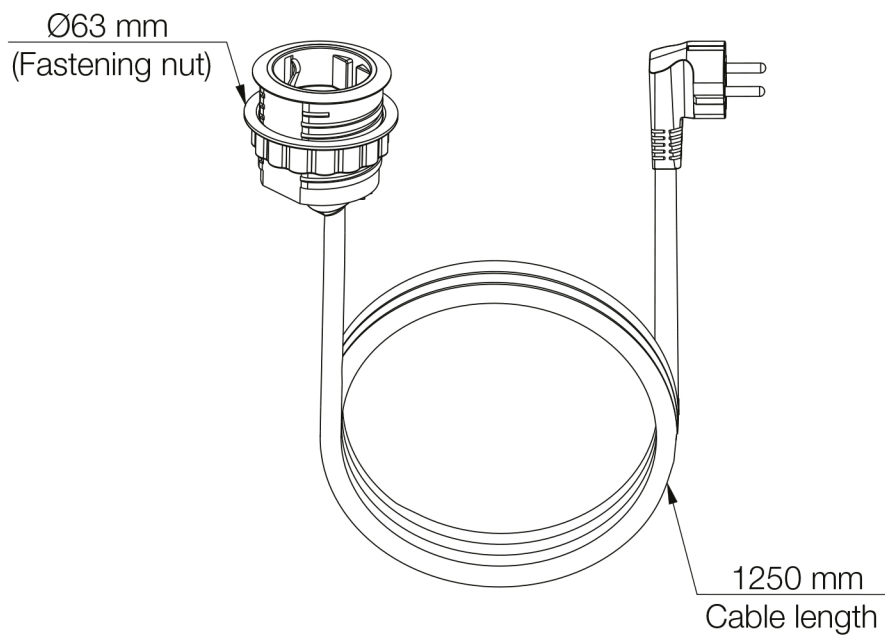
Front View (Grommet)



Bottom View (Grommet)



Oriented view (Grommet, nut & cable)



Maximum table thickness:
Recommended hole cut:

30 mm
Ø51 mm

Revised
191106