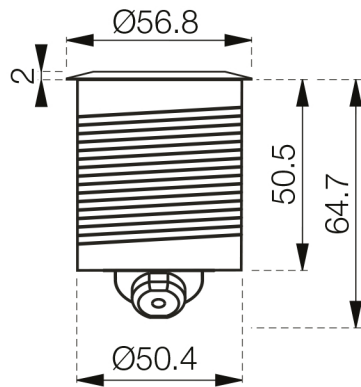


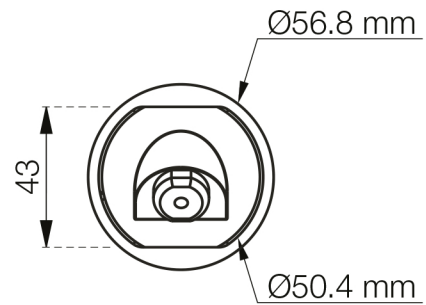


## Powerdot Mini - 2 USB Charger ports (5V 2.4A)

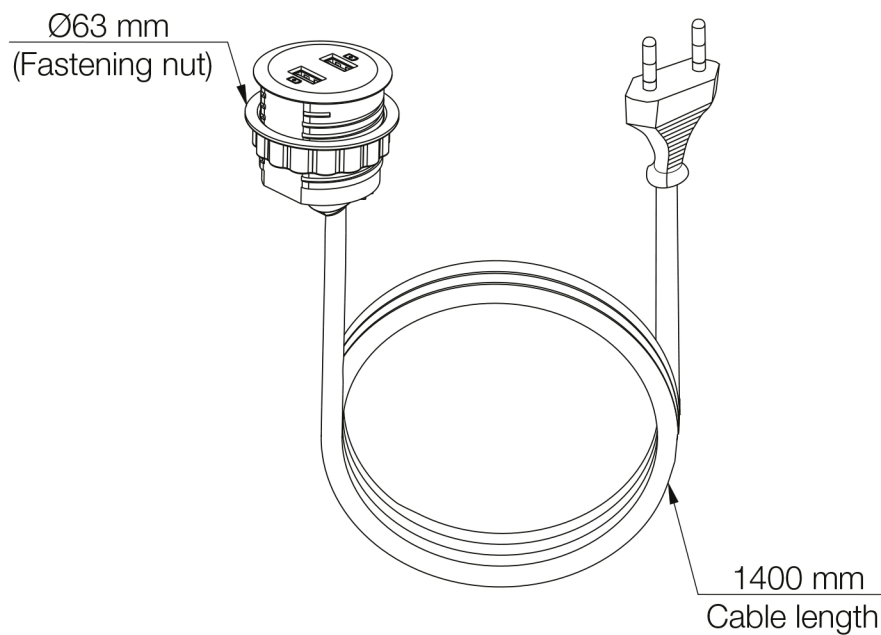
**Front View (Grommet)**



**Bottom View (Grommet)**



**Oriented view (Grommet, nut & cable)**



Maximum table thickness:  
Recommended hole cut:

30 mm  
Ø51 mm

Revised  
191106