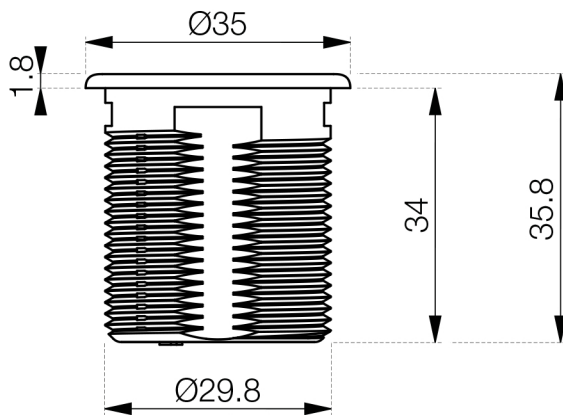


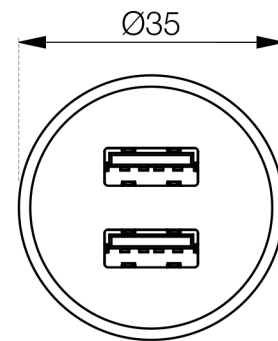


Powerdot MICRO - 2 USB Charger ports (5V, 2A)

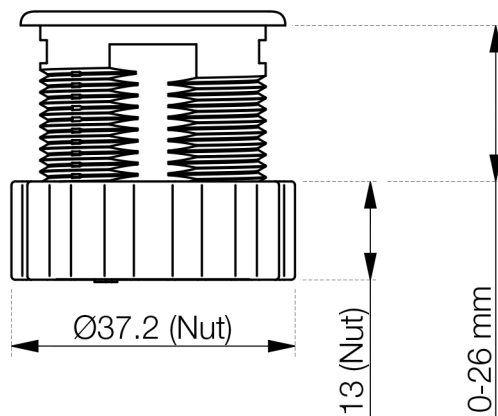
Front view (Grommet)



Top view (Grommet)



Front view (Grommet & nut)



Maximum table thickness:
Recommended hole cut:

26 mm
Ø30 mm

Revised
190405