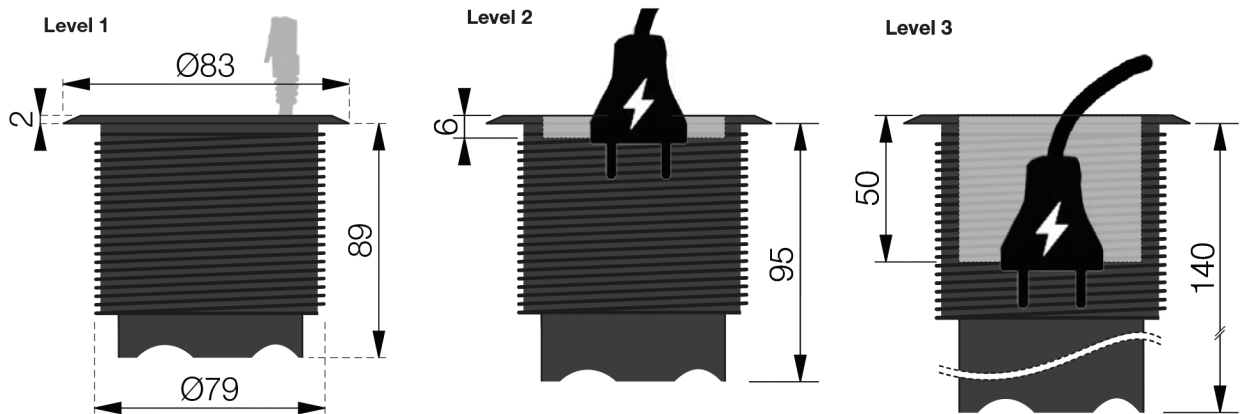


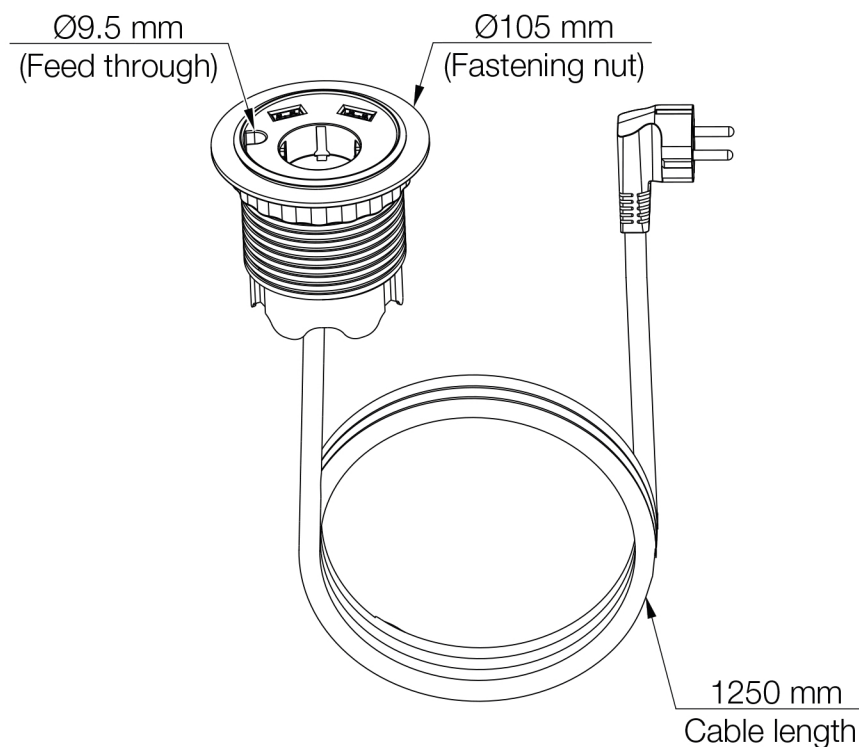


## Powerdot - 1 Power, 2x USB-chargers (5V 2A), 1 Feed through (Ø9.5 mm)

### Front view (Grommet)



### Oriented view (Grommet, nut & cable)



Maximum table thickness: 55 mm  
Recommended hole cut:  $\text{Ø}79$  mm

Revised  
191106