

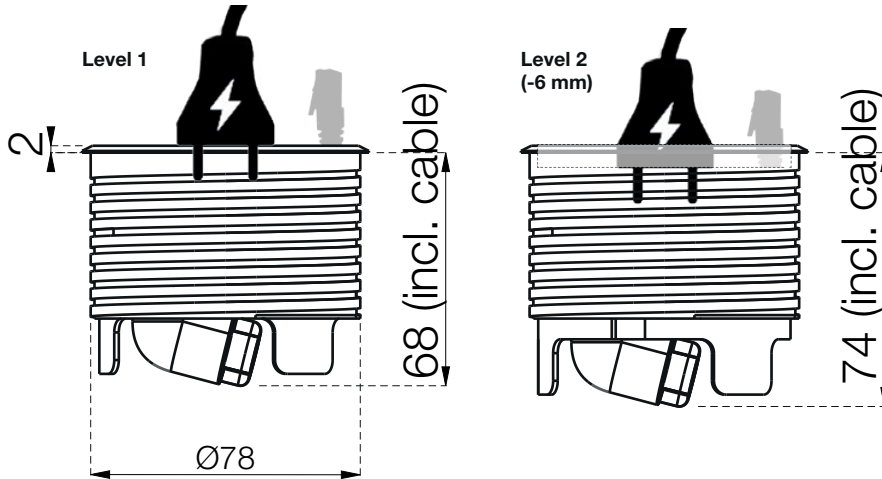


□ 935-PD16W

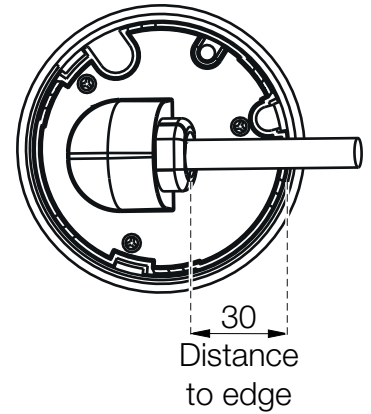
■ 935-PD16

**Powerdot - 1 Schuko, 1 USB/A charger. (5V 2A),
1 USB/C port, 2 Feed throughs (Ø7, Ø9.5 mm)**

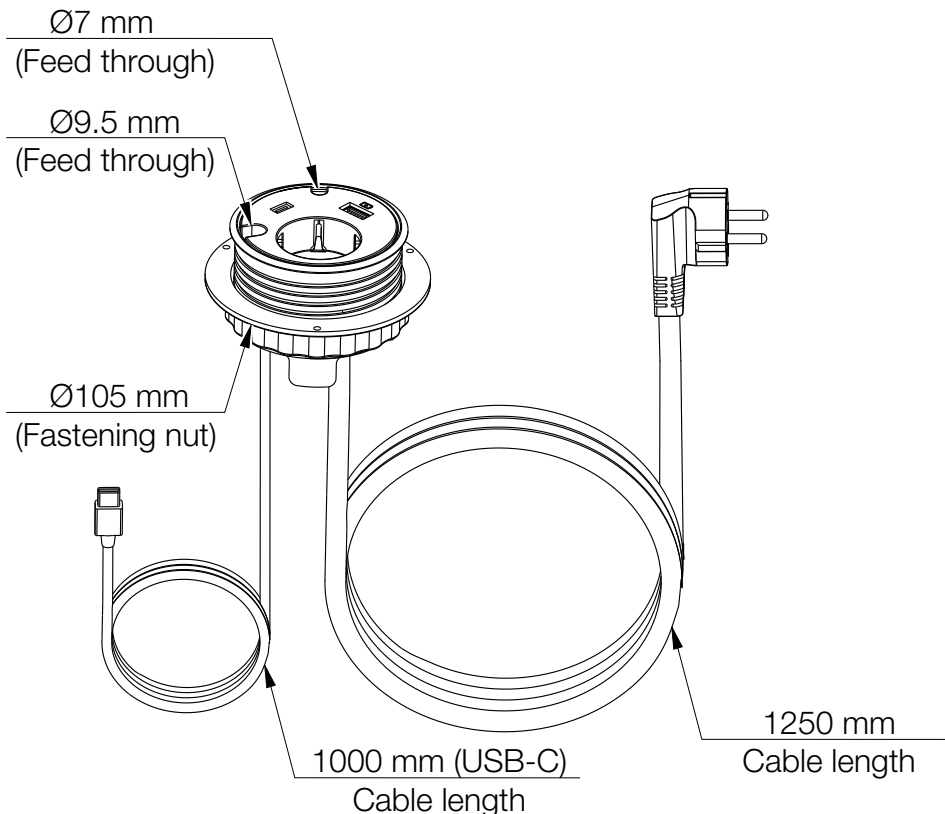
Front view (Grommet)



Bottom view



Oriented view (Grommet, nut & cable)



Maximum table thickness:
Recommended hole cut:

30 mm
Ø79 mm

Revised
200226/TH